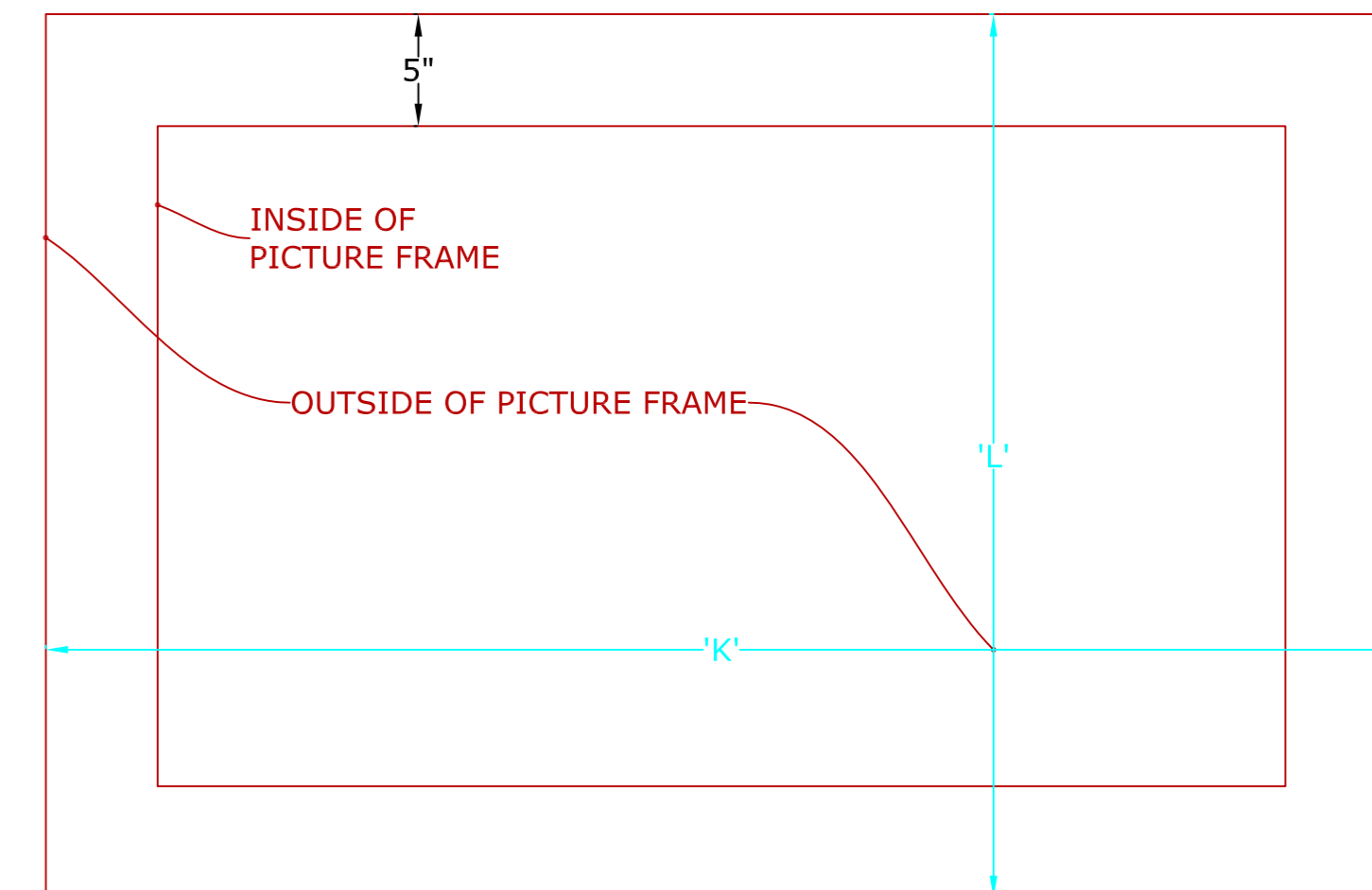
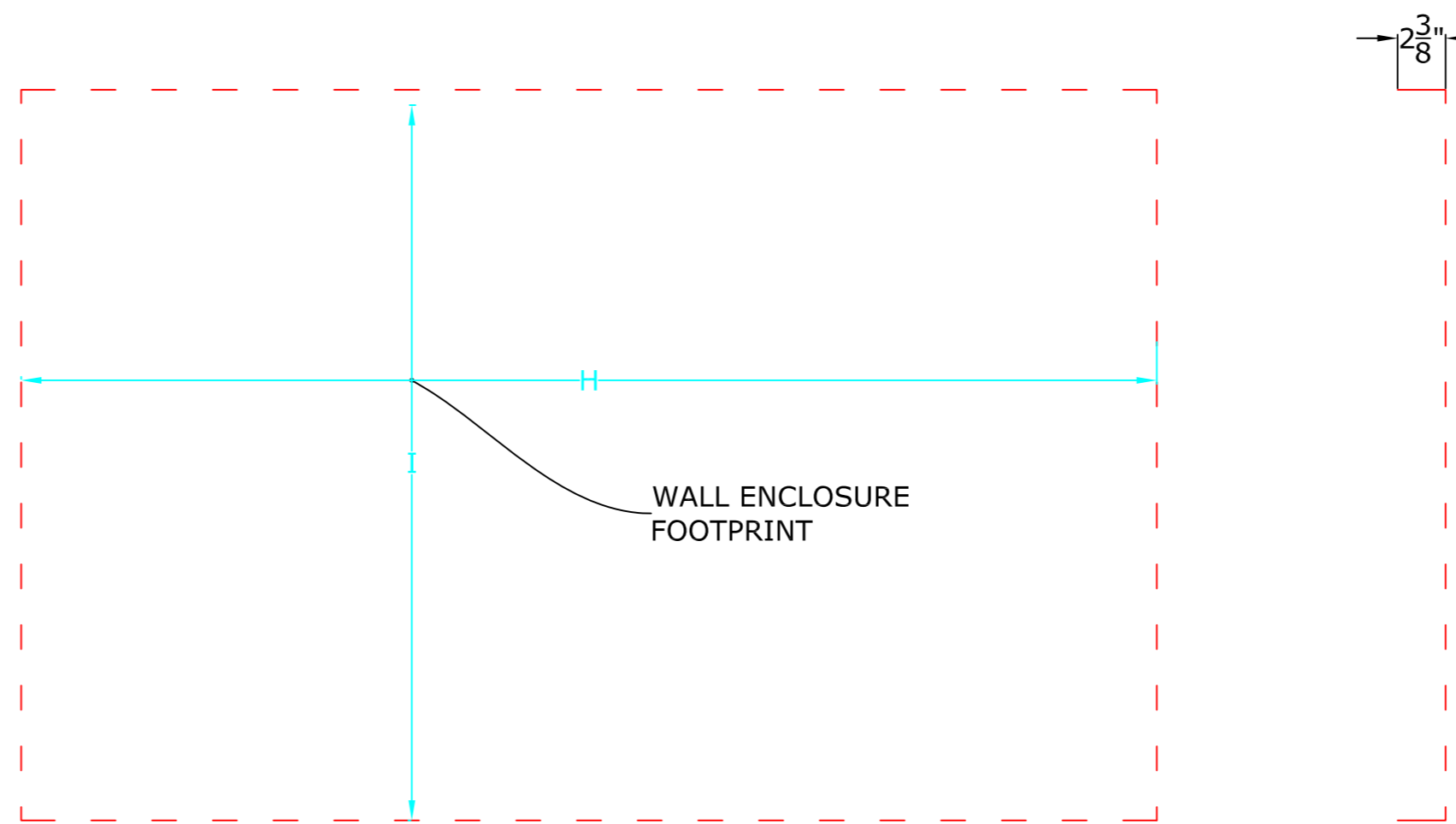
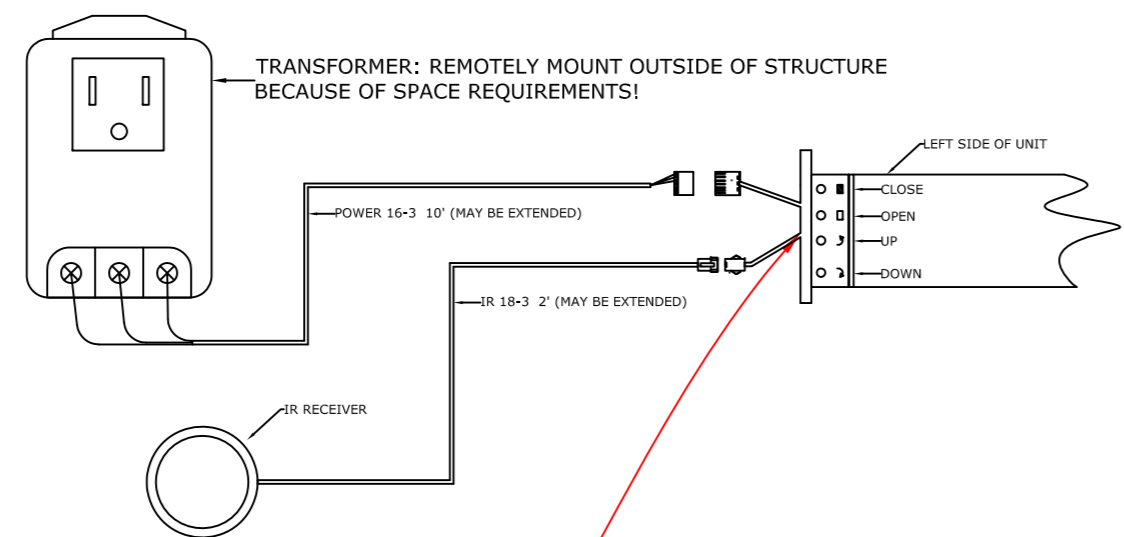


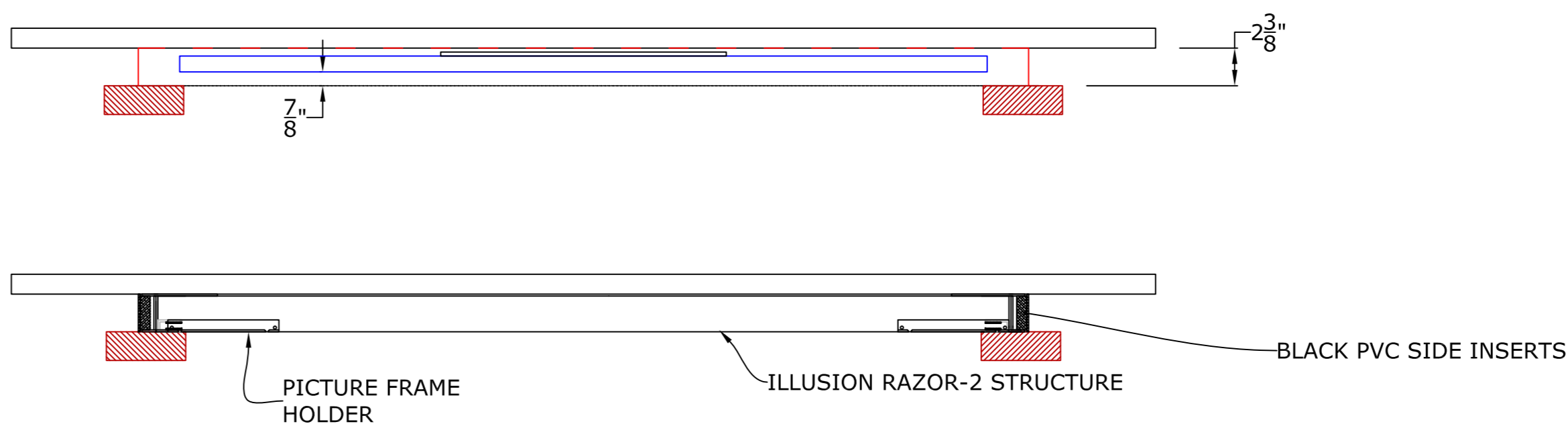
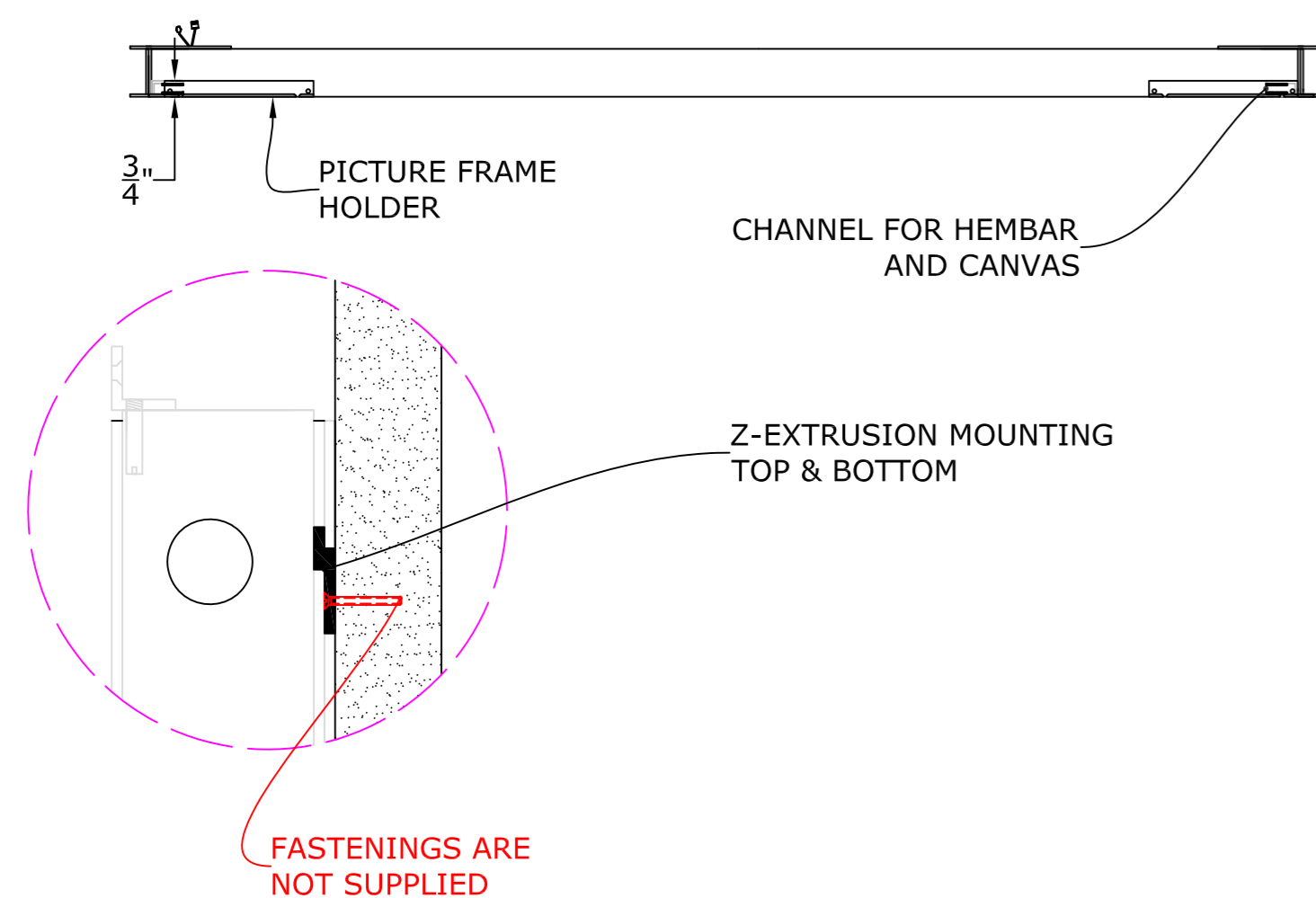
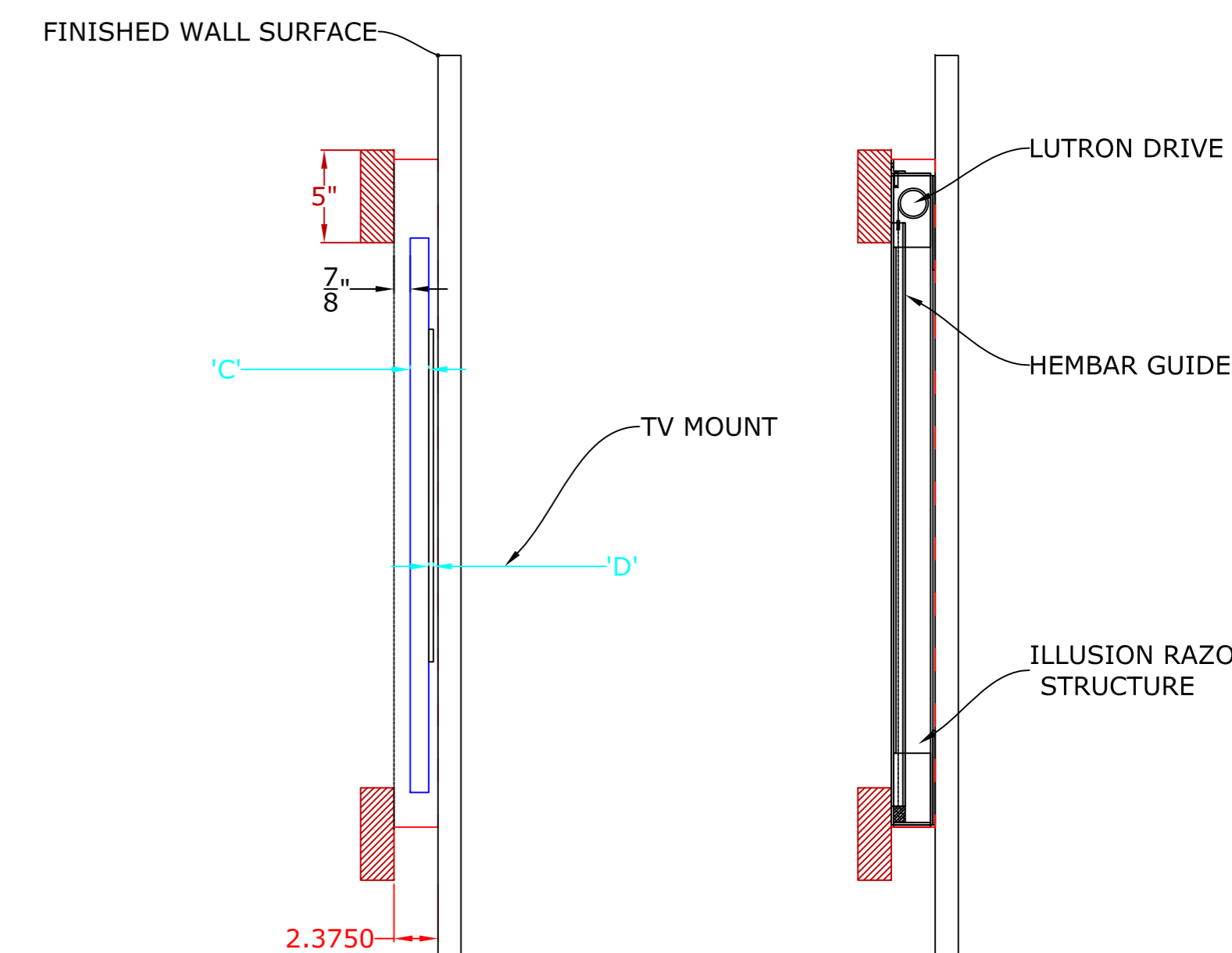
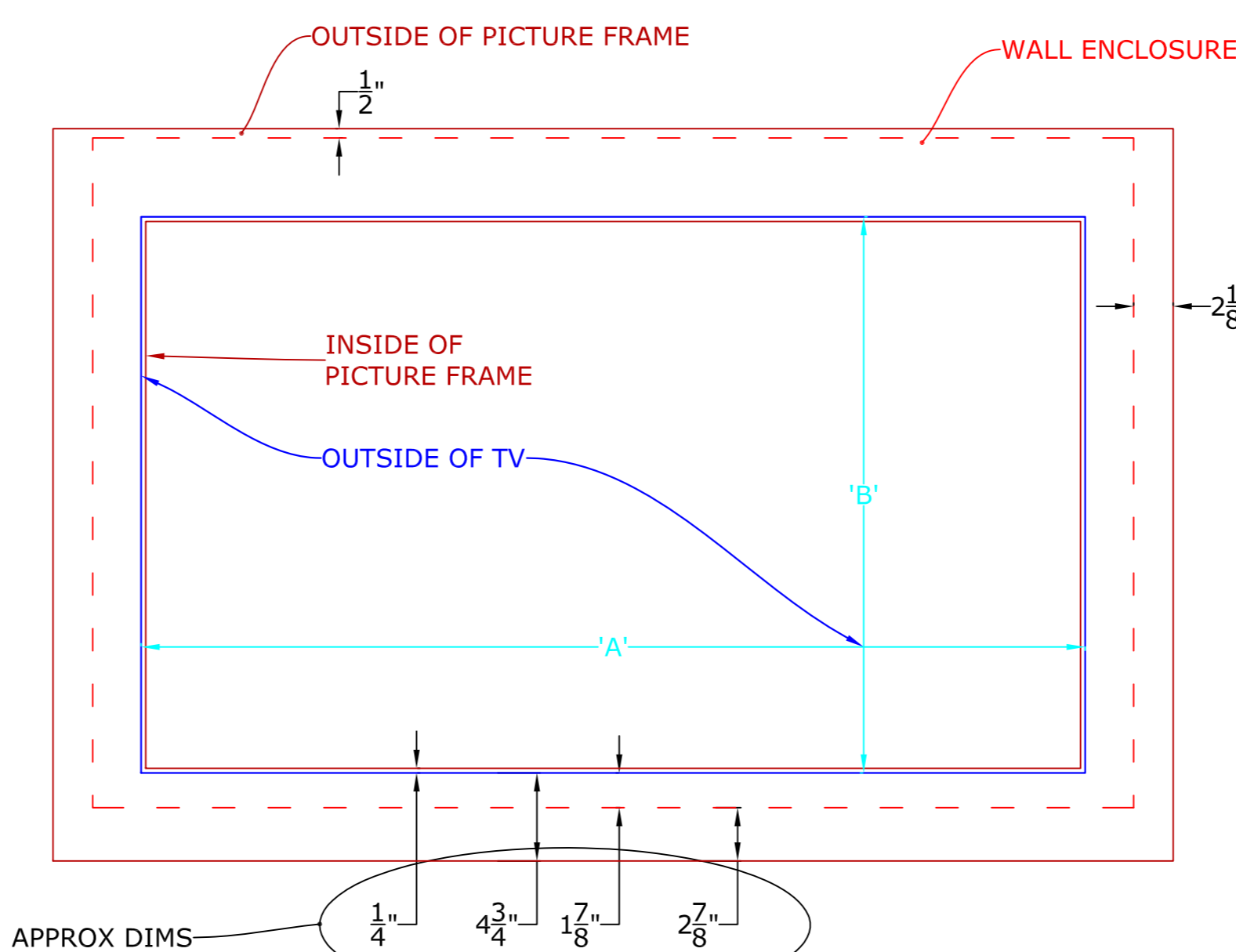
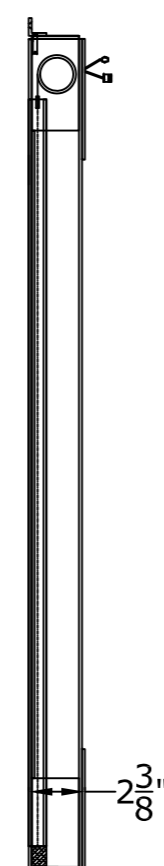
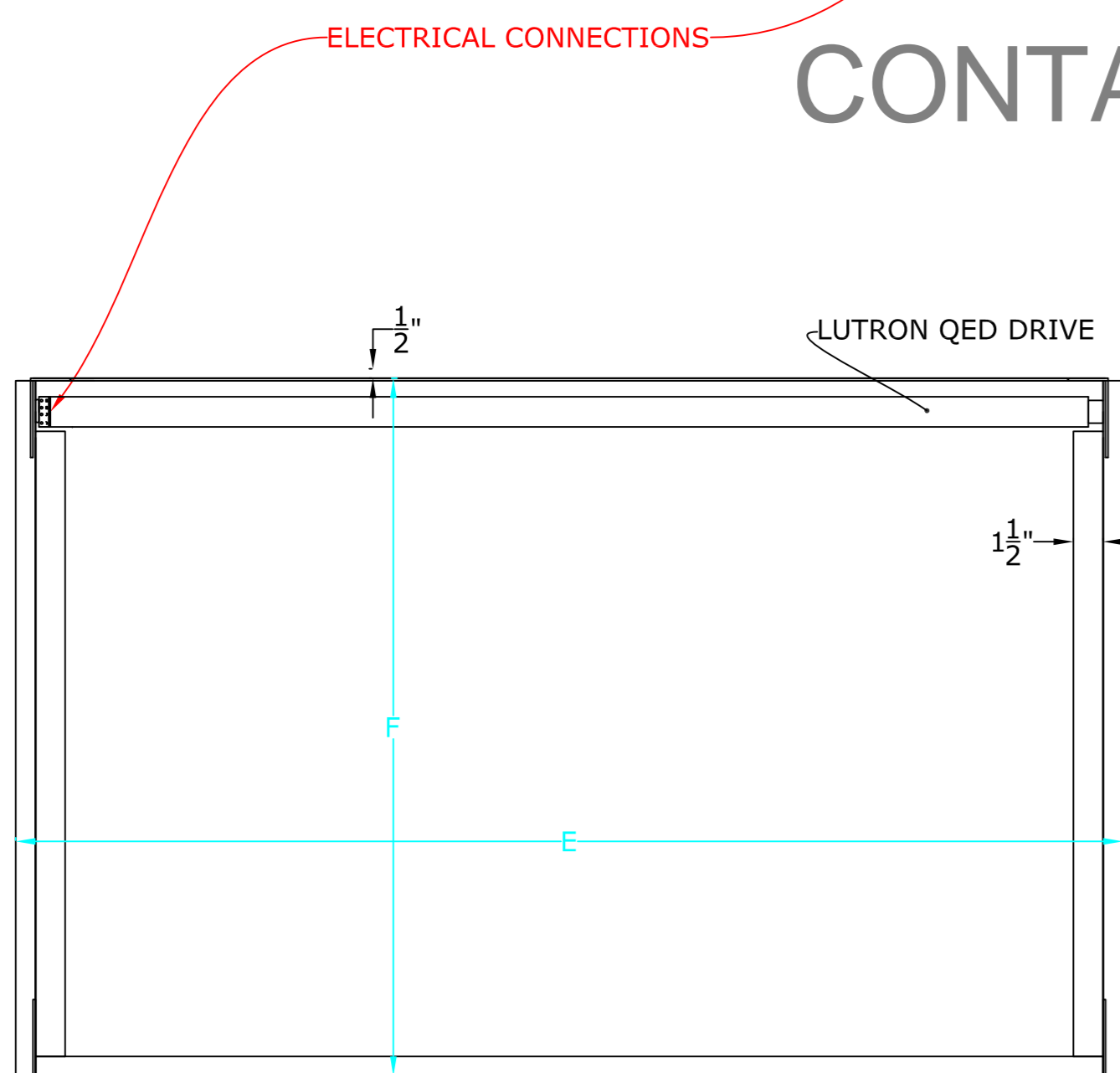
ILLUSION RAZOR (SURFACE MOUNT ONLY)

MAX TV + MOUNT DEPTH = 1.5"

A	TV WIDTH	
B	TV HEIGHT	
C	TV DEPTH	
D	MOUNT DEPTH	
E	OA STRUCTURE WIDTH	TV WIDTH + 5"
F	OA STRUCTURE HEIGHT	TV HEIGHT + 5.375"
G	OA STRUCTURE DEPTH	2.375" (FIXED)
H	WALL ENCLOSURE WIDTH	TV WIDTH + 5.225"
I	WALL ENCLOSURE HEIGHT	TV HEIGHT + 6.125"
J	ENCLOSURE DEPTH	2.375" (FIXED)
K	OA FRAME WIDTH	TV WIDTH + 9.5"
L	OA FRAME HEIGHT	TV HEIGHT + 9.5"
M	FRAME SECTION WIDTH	5" (MINIMUM)



THIS DRAWING IS A GUIDE ONLY
CONTACT MEDIA DECOR FOR A CUSTOM DRAWING



SPECIFICATIONS	
PRODUCT	ILLUSION RAZOR
INSTALLATION	SURFACE
ENCLOSURE	NOT NEEDED
ART	UNDECIDED
FRAME	UNDECIDED
TV MOUNT	
TV MODEL	

INFORMATION ONLY

MEDIA DECOR 954-524-1104

DWG NO.	WEB-ILLUSION RAZOR	REV	0
ILLUSION RAZOR SURFACE MOUNT			

3/2/2011	SAMPLE DRAWING	REVISIONS	0
36" RULER			