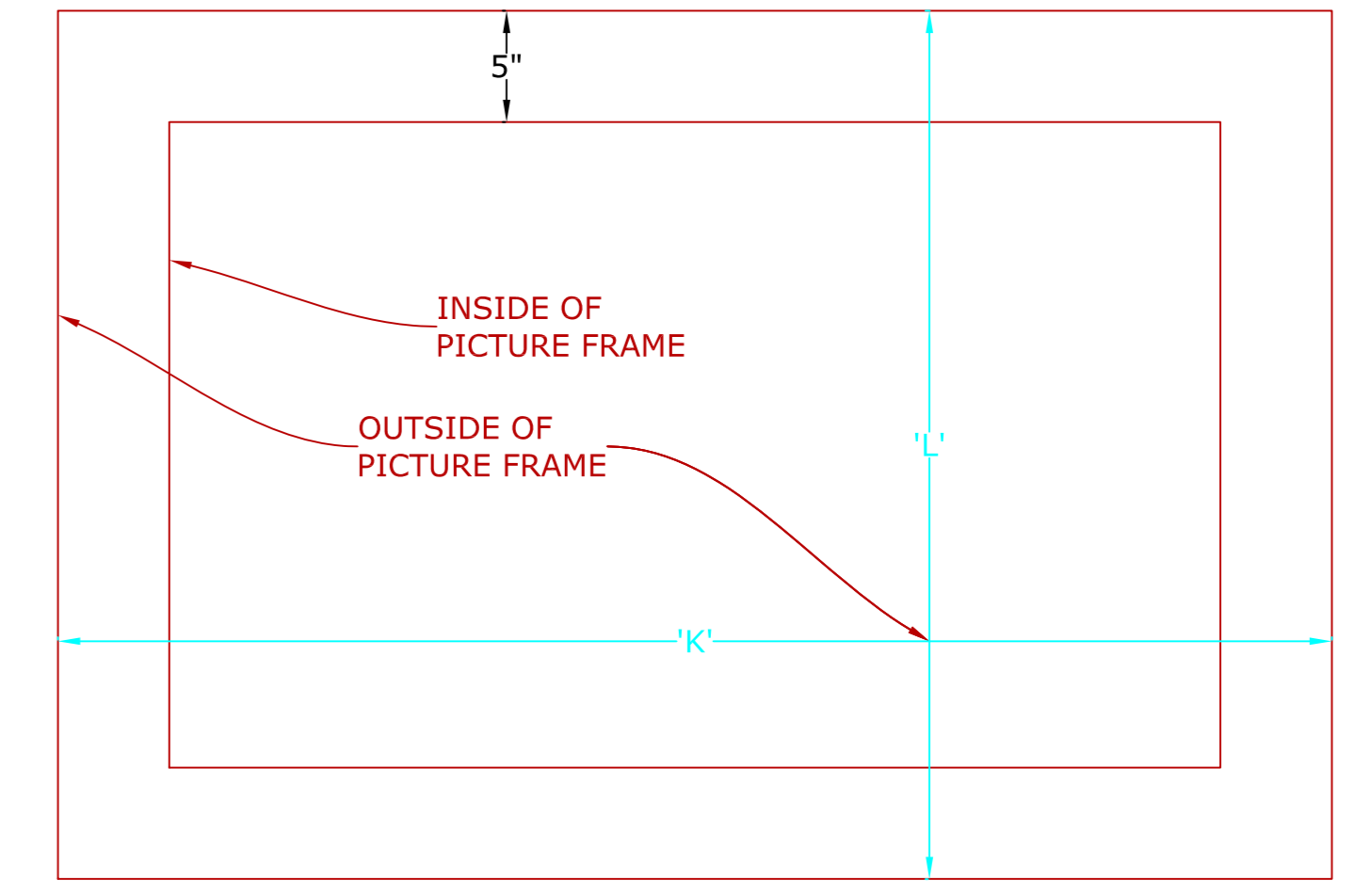
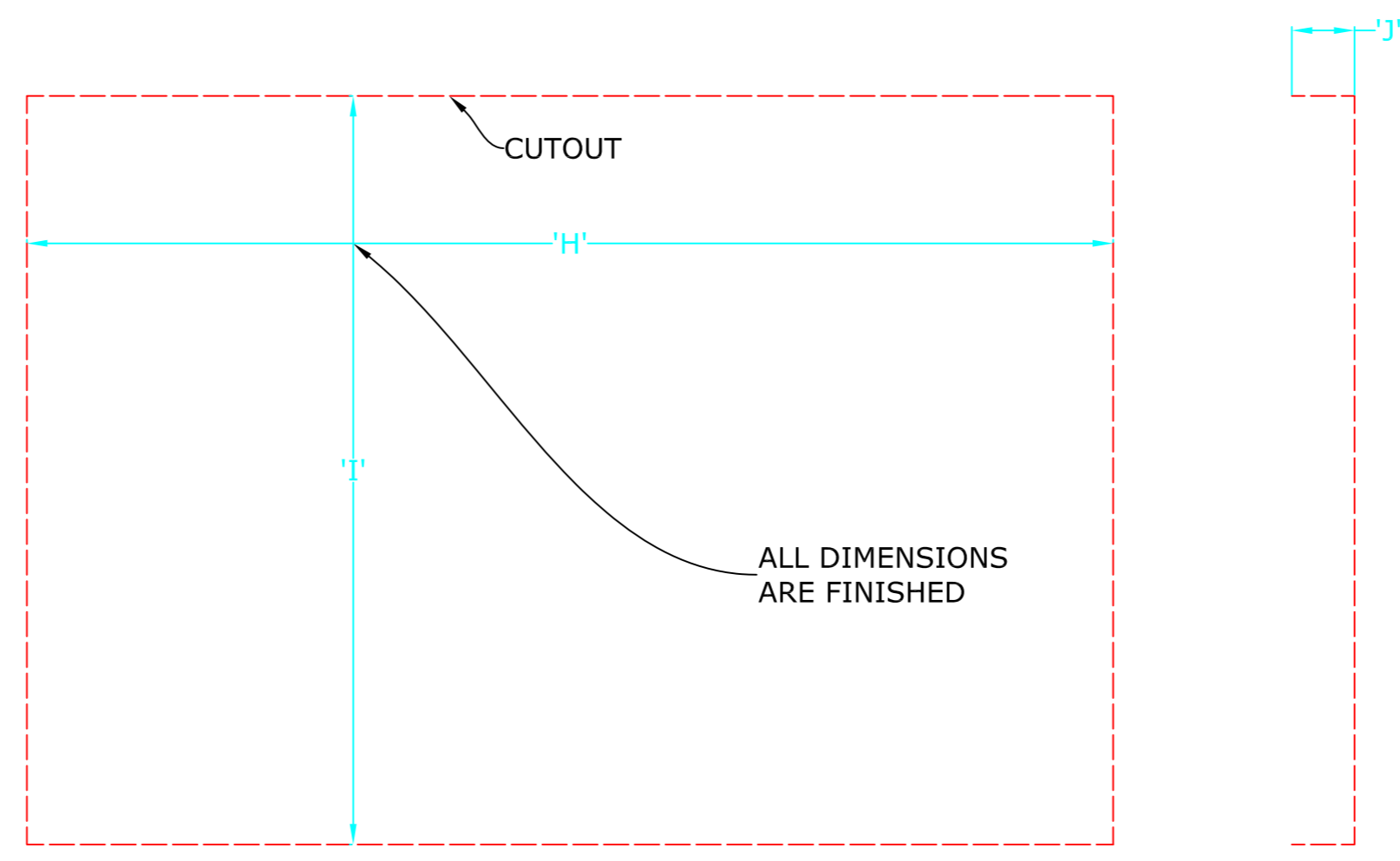
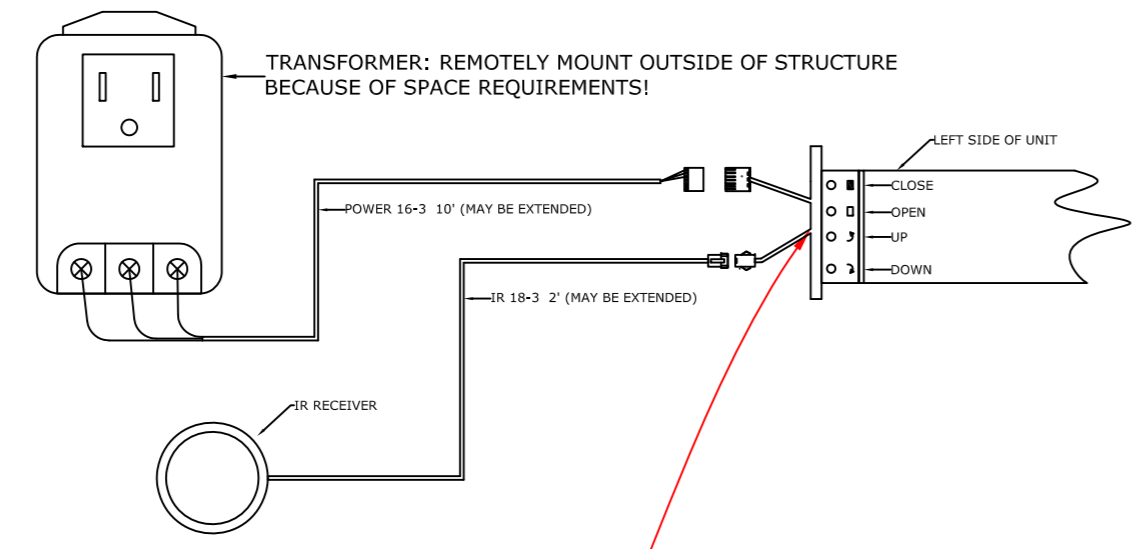
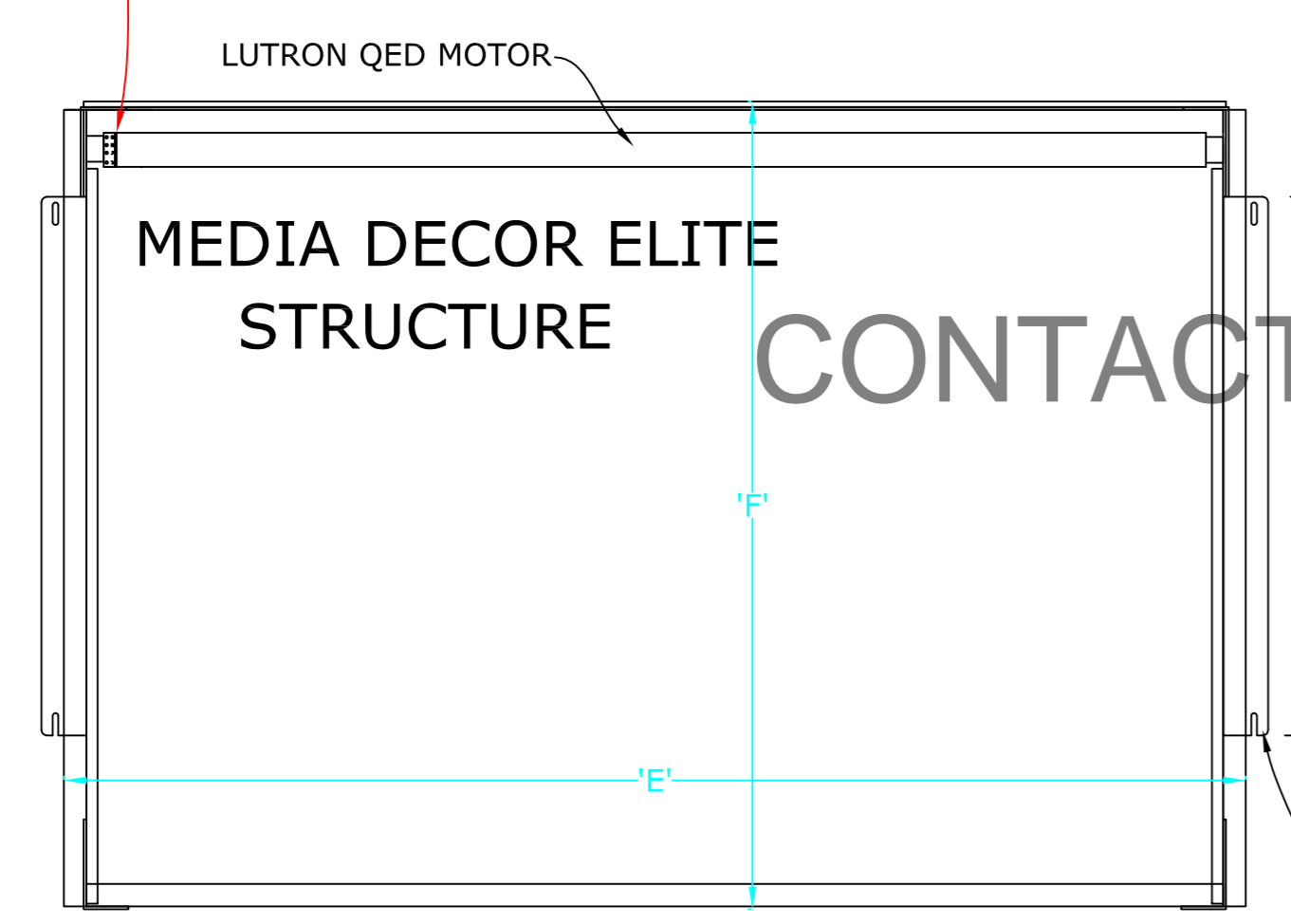


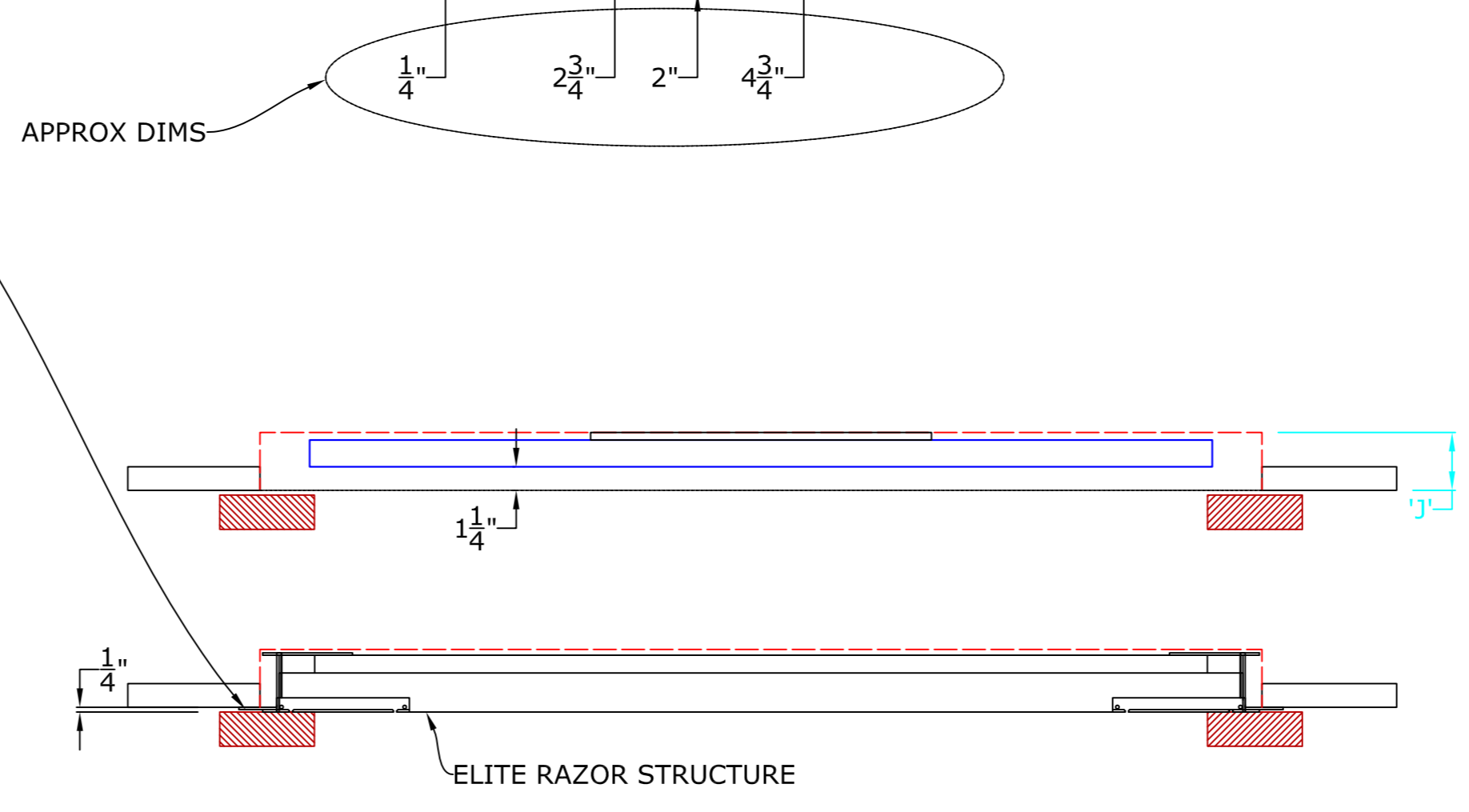
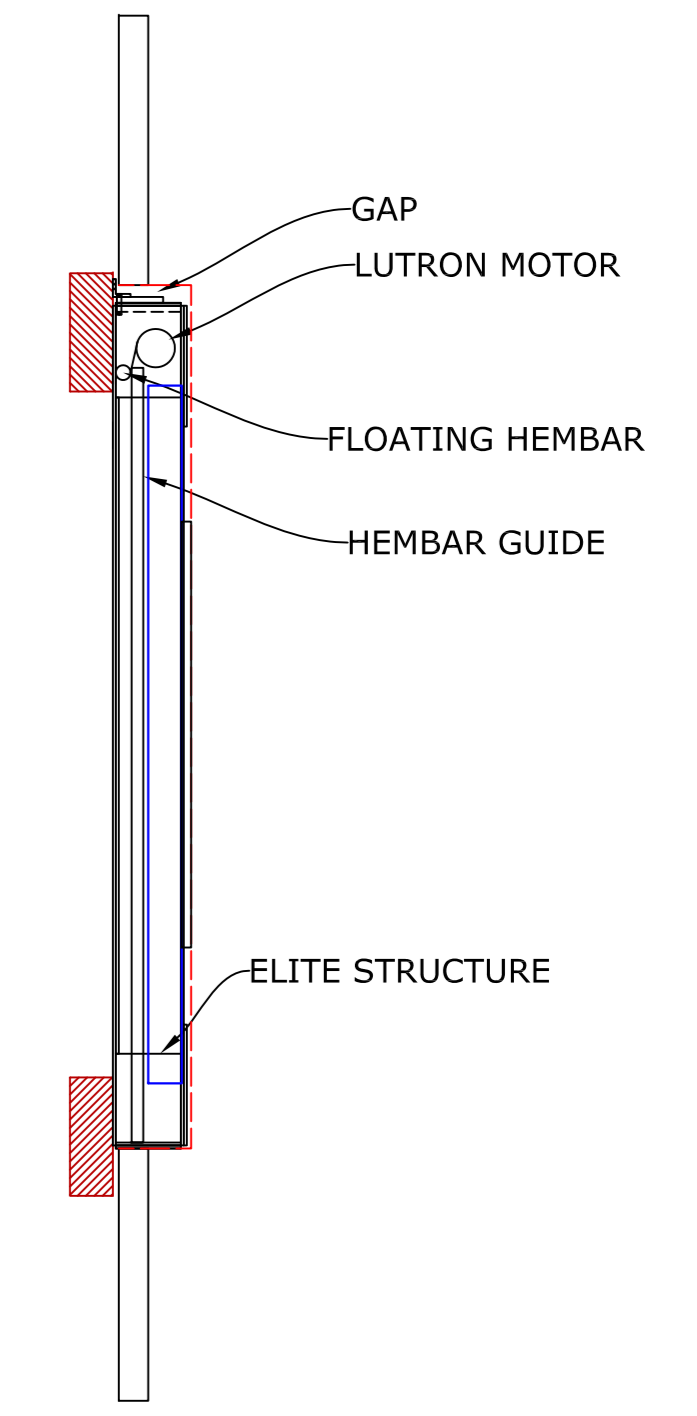
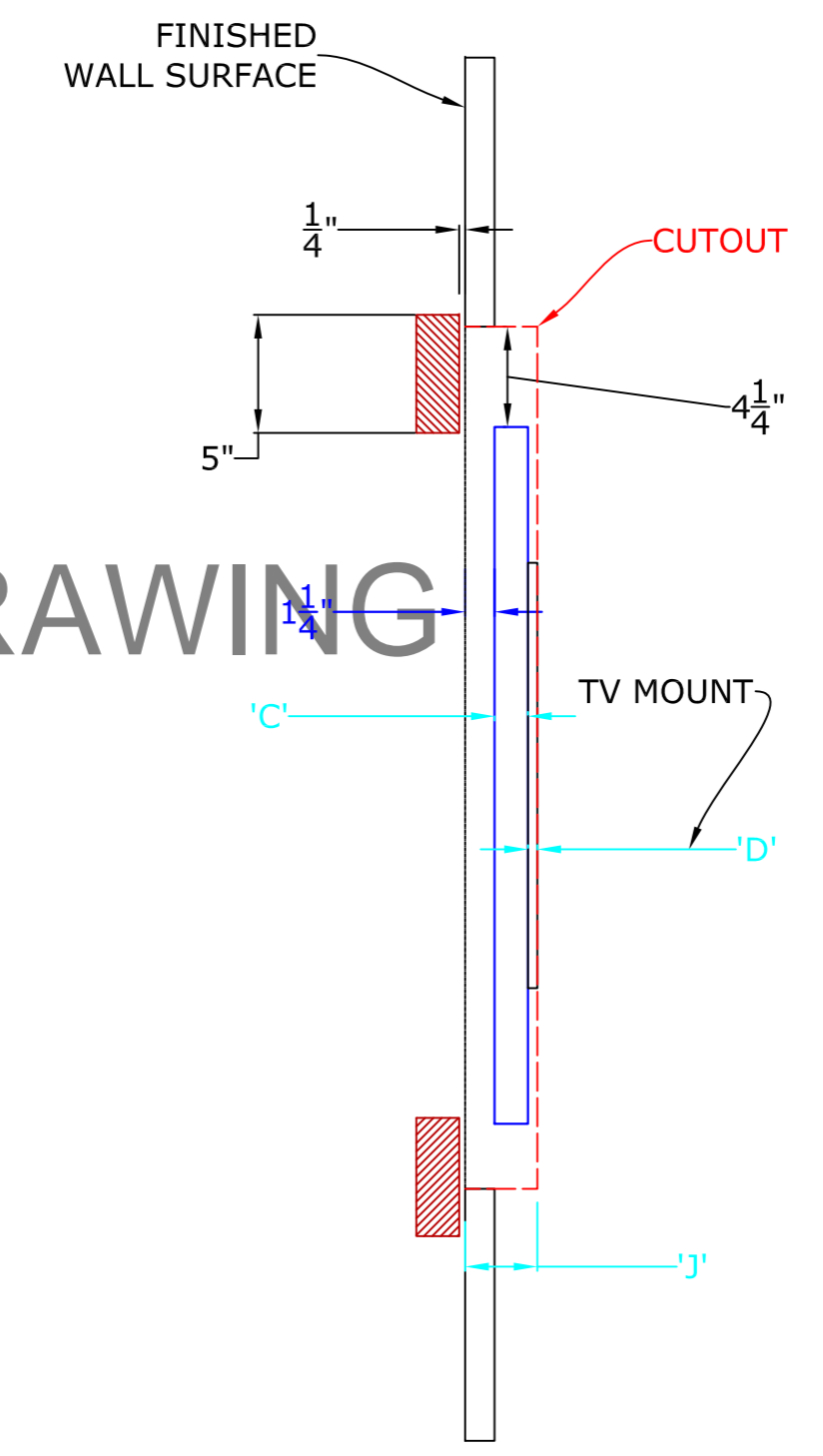
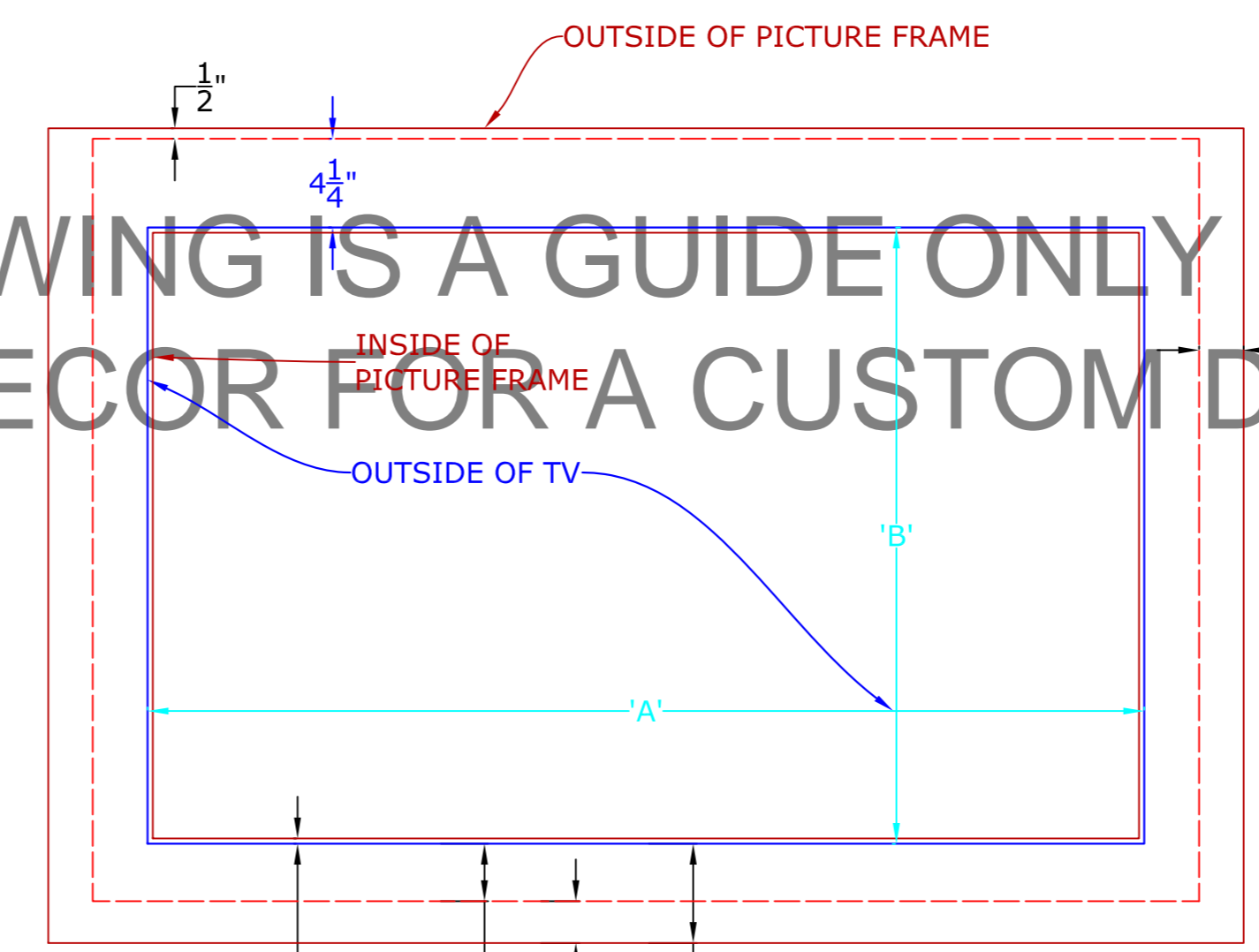
ELITE RAZOR DIMENSIONS		
A	TV WIDTH	
B	TV HEIGHT	
C	TV DEPTH	
D	MOUNT DEPTH	
E	OA STRUCTURE WIDTH	TV WIDTH + 4.975"
F	OA STRUCTURE HEIGHT	TV HEIGHT + 6.5"
G	OAL STRUCTURE DEPTH	3.125" (FIXED)
H	CUTOUT WIDTH	TV WIDTH + 5.25"
I	CUTOUT HEIGHT	TV HEIGHT + 7"
J	CUTOUT DEPTH (MIN 2.875")	TV DEPTH + MOUNT + 1.25"
K	OA FRAME WIDTH	TV WIDTH + 9.5"
L	OA FRAME HEIGHT	TV HEIGHT + 9.5"
M	FRAME SECTION WIDTH	5" (MINIMUM)



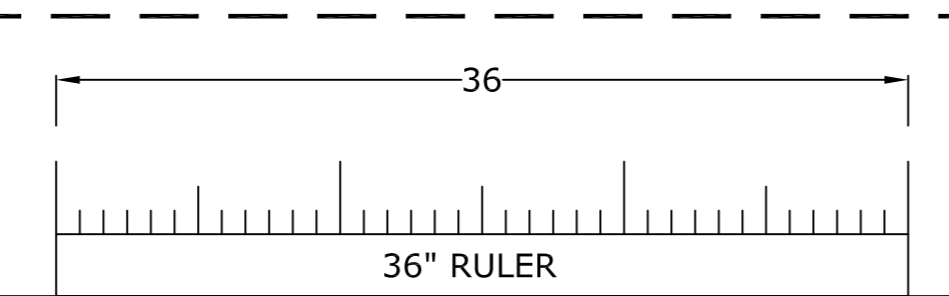
ELECTRICAL CONNECTIONS



THIS DRAWING IS A GUIDE ONLY  
CONTACT MEDIA DECOR FOR A CUSTOM DRAWING



DATE	DESCRIPTION	REVISIONS
1/28/2011	SAMPLE DRAWING	0



SPECIFICATIONS	
PRODUCT	ELITE RAZOR
INSTALLATION	RECESS
ENCLOSURE	NONE
ART	UNDECIDED
FRAME	UNDECIDED
TV MOUNT	
TV MODEL	

INFORMATION ONLY

<b>MEDIA DECOR</b> 954-524-1104	
DWG NO.	ELITE RAZOR SAMPLE DRAWING
REV	0
SAMPLE ELITE RAZOR MOVING ART DRAWING	